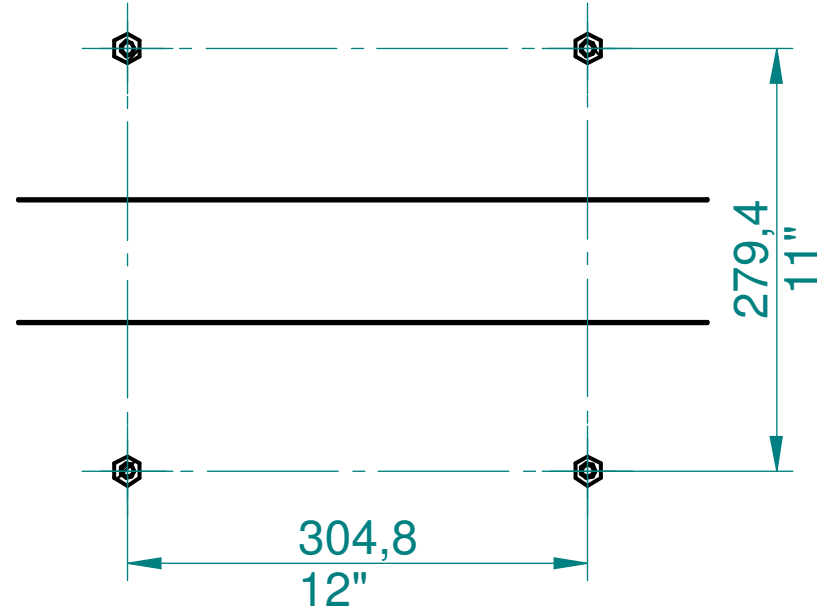
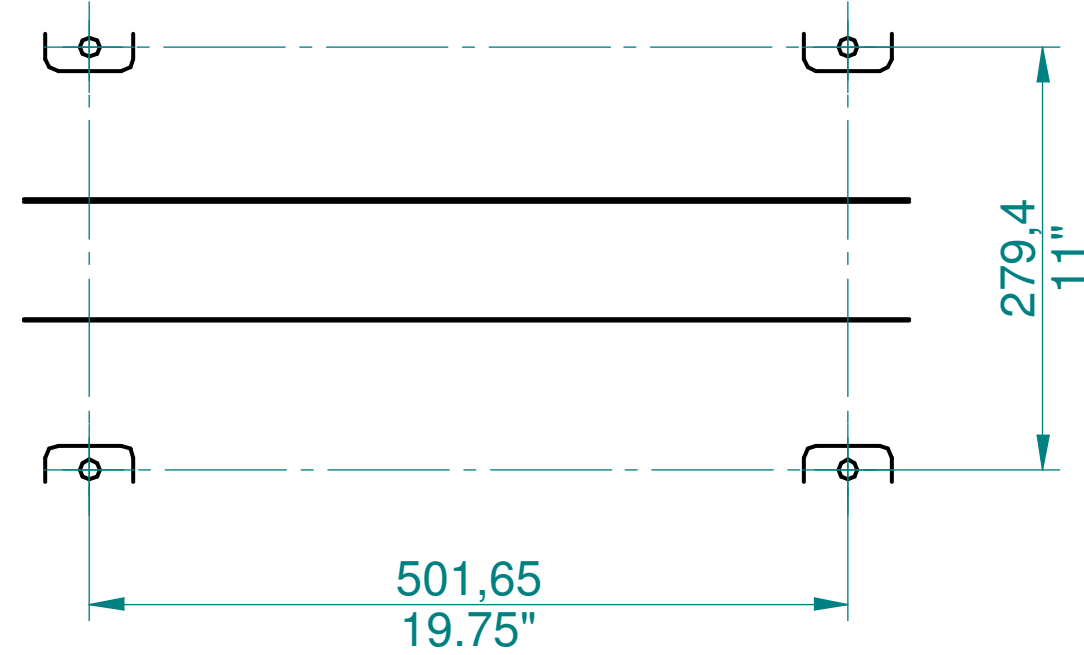


Leva 60 Recycle Bin Foundation details

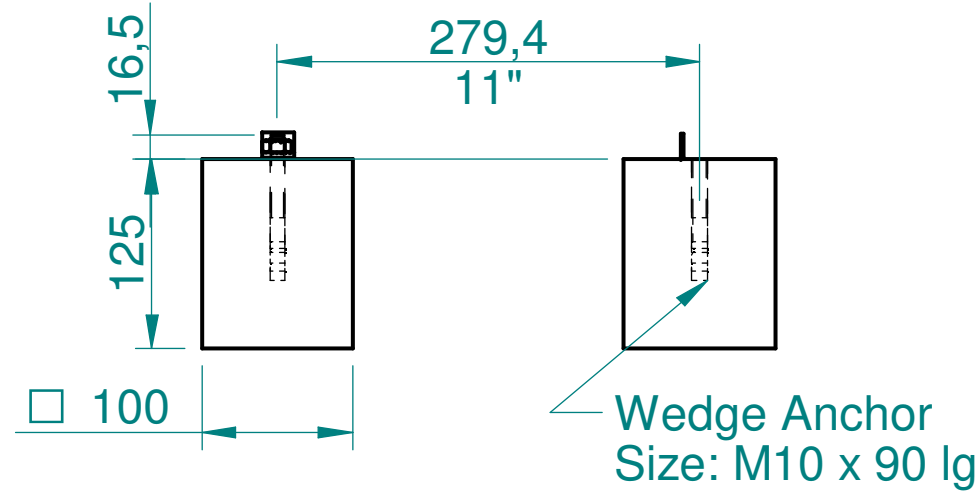
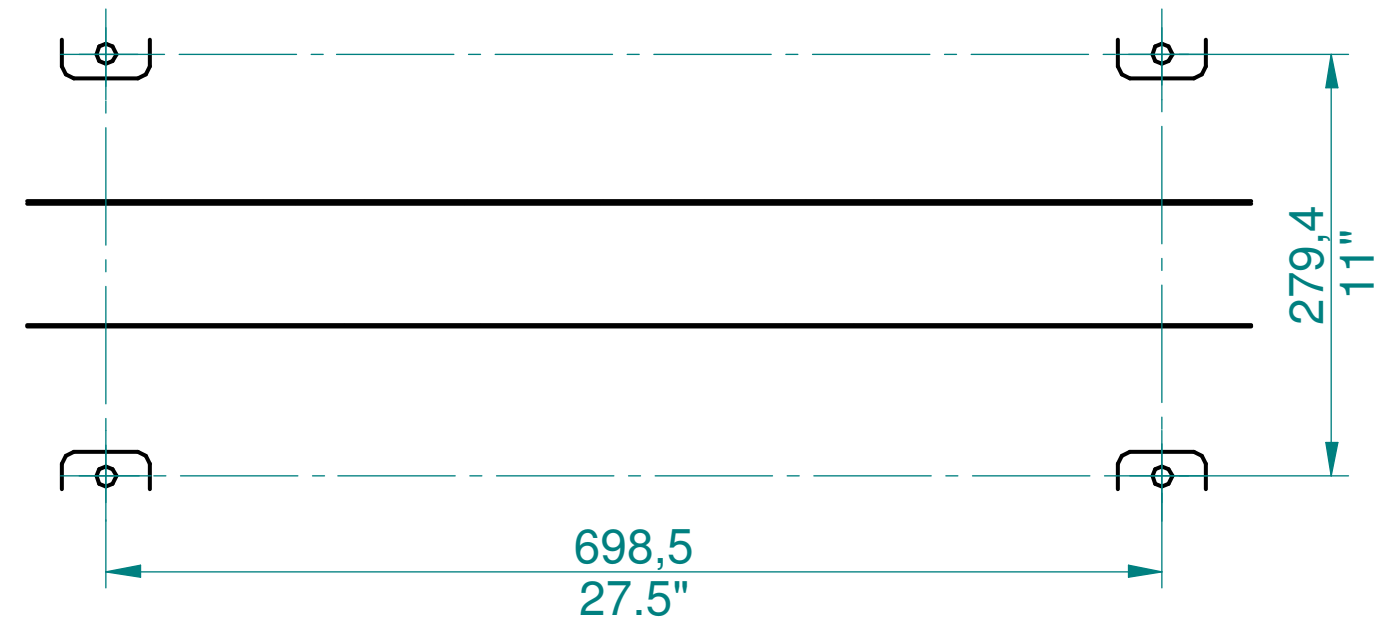
Art no: 1001-01
1001-05
Foundation Holes detail



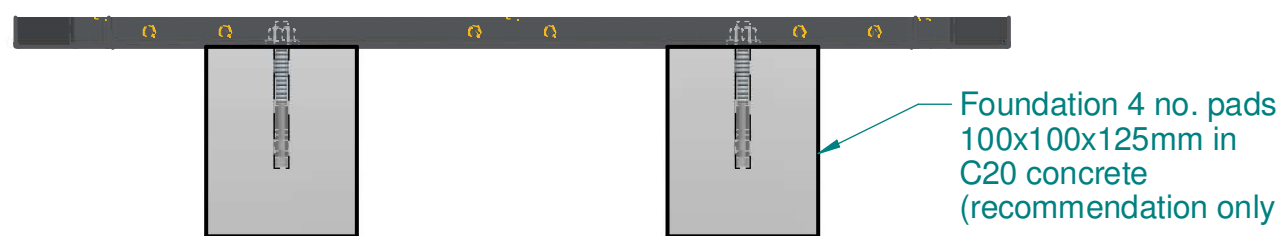
Art no: 1001-02
1001-06
Foundation Holes detail



Art no: 1001-03
1001-07
Foundation Holes detail



Foundation detail



-All dimensions are in MM unless otherwise specified
-Remove Sharp edges and burs

| | | | | |
|--|----------------|--------------------------------|-------------|--------------|
| Weight KG: 44.474 kg | MODEL NO. 1001 | Name:- LEVA BIN | | |
| ApNova Infratek Pvt Ltd. | | Drawing NO. 1001-01/2/3 /5/6/7 | Revision 00 | SHEET 1 OF 1 |
| Chattral-Kadi Road, Tal: Kalol, Dist.-Gandhinagar, Gujarat, INDIA. | | | | |